



## RGB-175/LN, Low NOx Staging Gas Burner

### Specifications

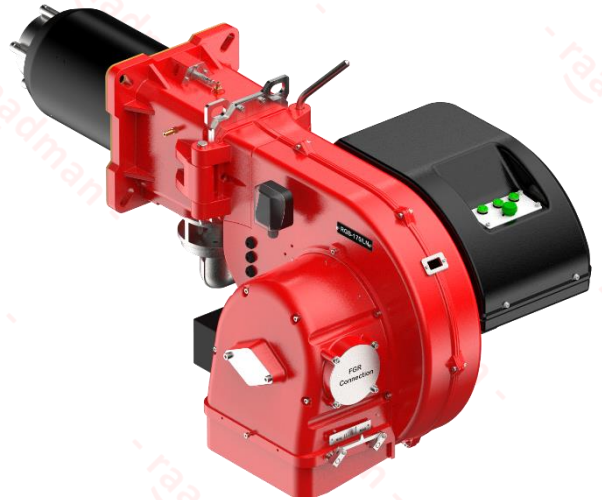
- Two stage burner with capacity of 320-1800 kW on gas side (32-180 Nm<sup>3</sup>/h for G20), and turn down ratio of 1:5, and NOx class III.
- Compatible with all types of combustion chambers according to EN-303 or BS-EN 12953 standards.
- Suitable for fire tube, fire box, water tube boilers, etc.
- The burner includes: mechanical components, low NOx burner head designed for emission reduction, flame tube, air fan, control panel, ignition devices, valves and all necessary safety devices in the gaseous line.
- Burner controller: SIEMENS LFL or SHOKOUH/HONEYWELL TMG depends the policy of manufacturer based on the market availability or on the customer's order.
- The controller includes: main controller, actuator.
- The gas train includes: filter, regulator, main and safety valve, pressure gauges, maximum pressure switch, minimum pressure switch, leak test pressure switch, and valve proving system (All according to BS-EN 676).

The recommended gas trains are offered in two types:

- Rp2 multi-block low-pressure gas train (inlet pressure of 69-360 mbar).
- Rp2 separate low-pressure gas train (inlet pressure of 75-360 mbar).
- If higher pressures are available, lower gas train sizes can be offered for better prices.

- Advantages: optimal design, silent operation, the ability to open from the hinge to both sides and ease of installation and maintenance.

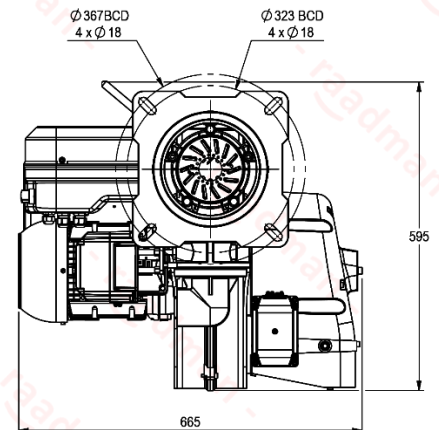
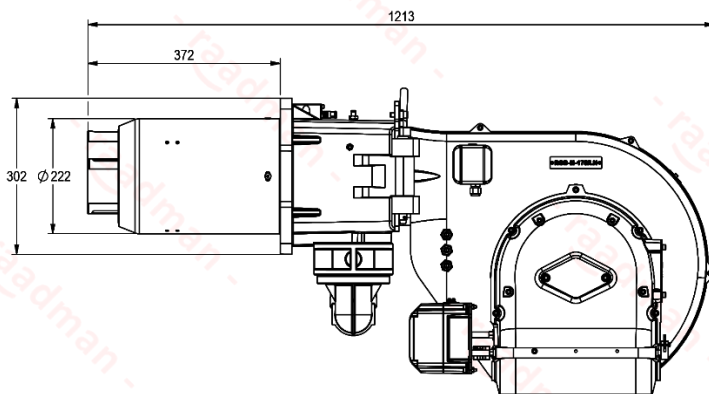
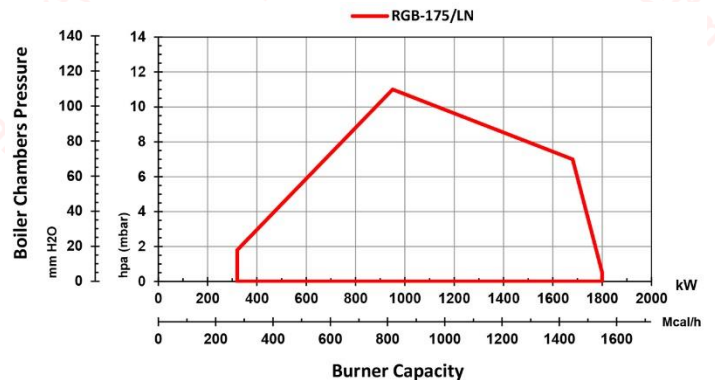
Optional ability: LPG fuel compatibility with LPG nozzle kits.



### More information

- Fan motor: 4 kW, 3 Phase, 380-400 Volt, 50 Hz, 2840 rpm.
- Operating ambient temperature: 5-60°C
- Maximum combustion air temperature: 60°C
- Noise emission level: 80.5 dB in 1.5-meter distance
- Casing insulation class: IP43
- Net weight: ~116 kg
- Packing dimensions (L x W x H): ~1350 x 940 x 750 mm

Reference conditions: Ambient temperature 20°C - Gas temperature 15°C  
- Barometric pressure 1013 mbar - Altitude 0 m (According to BS-EN 676)



- Suggested boiler flange diameter = 235 mm

### Certifications

- Certified in EAEU countries standard No. 0378484.
- Certified in Iran national standard ISIRI-7595 (BS-EN 676).



Scan to access:  
Technical proposal  
Technical data  
Technical consultation  
Cad model (only for VIP customers)

