



RGB-80, Staging Gas Burner

Specifications

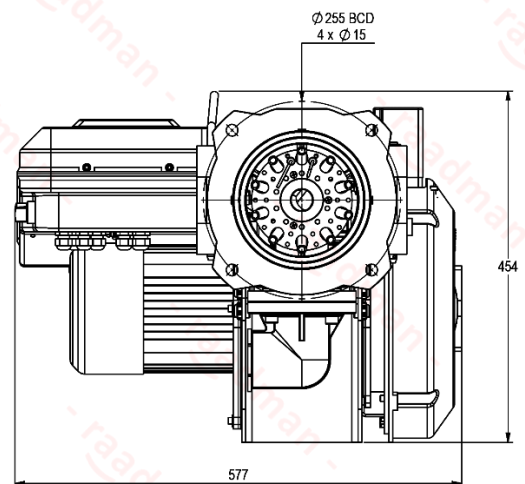
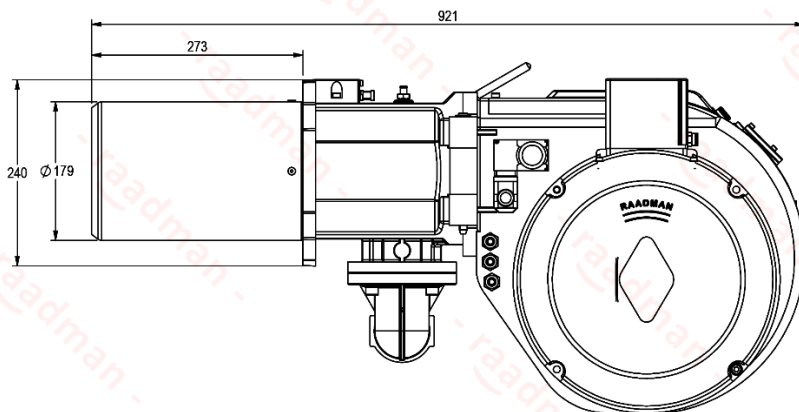
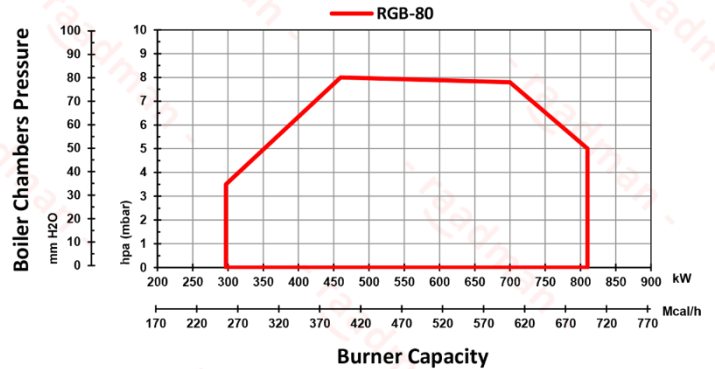
- Two stage burner with capacity of 297-810 kW on gas side (29.7-81 Nm³/h for G20), and turn down ratio of 1:3, and NOx class II.
- Compatible with all types of combustion chambers according to EN-303 or BS-EN 12953-3 standards.
- Suitable for firetube, firebox and water tube boilers.
- Burner includes: aluminum housing, flame tube, electrical wiring, air fan, control panel, ignition devices, valves and all necessary safety devices in the gaseous fuel line.
- Burner controller: HONEYWELL TMG or SIEMENS LFL depends on the customer's order or the policy of manufacturer based on the market availability. Controller includes: Main controller, actuator.
- Gas train includes: filter, regulator, main and safety valve, pressure gauges, minimum and pressure switch (according to BS-EN 676). Gas train is provided in two types depends on the applications:
 - Rp1 ½ multi-block low-pressure gas train (inlet pressure of 34-360 mbar).
 - Rp1 ½ separate low-pressure gas train (inlet pressure of 45-360 mbar).
- Advantages: Optimal design, high modulating ratio, silent operation, hinged capability of burner housing for opening in both directions, and easy installation and maintenance.
- Optional ability: LPG fuel compatibility with LPG nozzle kits.



More information

- Fan motor: 1.1 kW, 3 Phase, 380-400 Volt, 50 Hz, 2850 rpm.
- Operating ambient temperature: 5-60°C
- Maximum combustion air temperature: 60°C
- Noise emission level: 75 dB in 1.5-meter distance
- Casing insulation class: IP43
- Net weight: 53 kg
- Packing dimensions (length x width x height): 1220 x 745 x 730 mm

Reference conditions: Ambient temperature 20°C - Gas temperature 15°C
- Barometric pressure 1013 mbar - Altitude 0 m (according to BS-EN 676 & BS-EN 267)



- Suggested boiler flange diameter = 191 mm

Certifications

- Certified in EAEU countries standard No. 0378484.
- Certified in Iran national standard ISIRI-7595 (BS-EN 676).



Scan to access:
Technical proposal
Technical data
Technical consultation
Cad model (only for VIP customers)

