



## RGB-M-1050, Electronic Modular Gas Burner

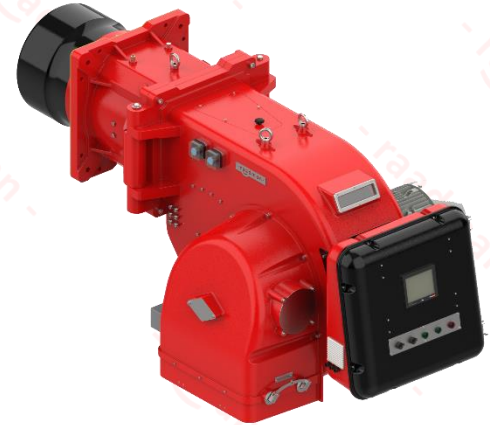
### Specifications

- Electronic modulating burner with capacity of 1000-10500 kW on gas side (100-1050 Nm<sup>3</sup>/h for G20), and turn down ratio of 1:10, and NOx class II.
- Compatible with all types of combustion chambers according to EN-303 or BS-EN 12953 standards.
- Suitable for fire tube, firebox, water tube boilers, etc.
- The burner includes: mechanical components, burner head, flame tube, air fan, control panel, ignition devices, valves and all necessary safety devices in the gaseous fuel line.
- Burner controller: AUTOFLAME MINI MK8/MK8 or SIEMENS LMV5 depends on the policy of the manufacturer based on the market availability or the customer's order.
- The controller includes: main controller (PID controller), user interface, flame scanner, and actuators.
- The gas train includes: filter, regulator, main and safety valve, pressure gauges, maximum pressure switch, minimum pressure switch and leak test pressure switch (All according to BS-EN 676).

The recommended gas trains are offered in two types:

- DN100 multi block low-pressure gas train (inlet pressure of 235-360 mbar).
- DN100 separate high-pressure gas train (inlet pressure of 1-4 bar).
- If higher pressures are available, lower gas train sizes can be offered for better prices.

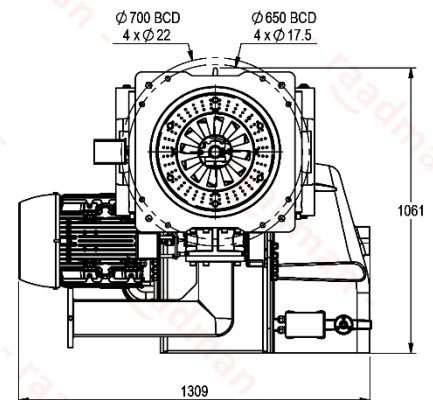
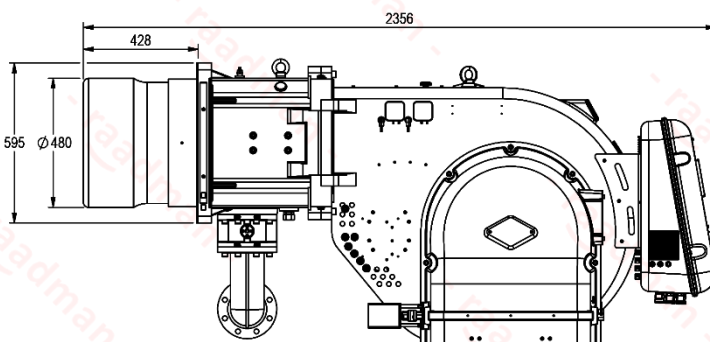
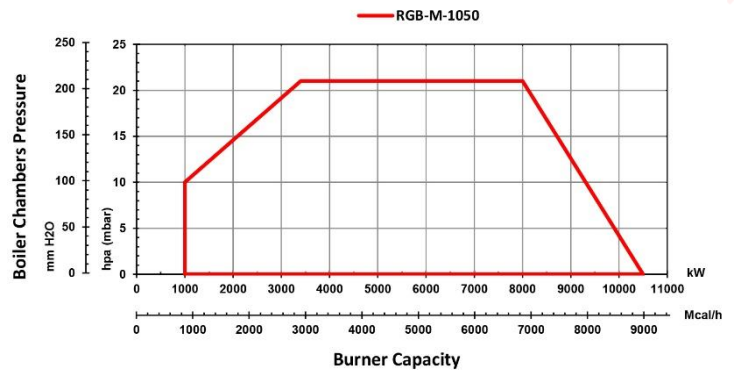
- Advantages: optimal design, high modulating ratio, silent operation, valve proving system, communication with external systems via Bus, and ease of installation and maintenance.
- Optional ability: running with FGR (Flue Gas Recirculation) in order to further reduction in NOx level, variable speed drive (VSD), running with O<sub>2</sub> and CO sensors (plus CO<sub>2</sub>, NO, NO<sub>2</sub>, and SO<sub>2</sub> sensors with AUTOFLAME controller), LPG fuel compatibility with LPG nozzle kits.



### More information

- Fan motor: 22 kW, 3 Phase, 380-400 Volt, 50 Hz, 2900 rpm.
- Operating ambient temperature: 5-60°C
- Maximum combustion air temperature: 60°C
- Noise emission level: 85 dB in 1.5-meter distance
- Casing insulation class: IP43
- Net weight: ~570 kg
- Packing dimensions (L x W x H): ~2250 x 1444 x 1200 mm

Reference conditions: Ambient temperature 20°C - Gas temperature 15°C - Barometric pressure 1013 mbar - Altitude 0 m (According to BS-EN 676).



- Suggested boiler flange diameter = 495 mm

### Certifications

- Certified in EAEU countries standard No.0378484.
- Certified in Iran national standard ISIRI-7595 (BS-EN 676).



Scan to access:  
Technical proposal  
Technical data  
Technical consultation  
Cad model (only for VIP customers)

