



## RGB-MS-110, Mechanical Staging Gas Burner

### Specifications

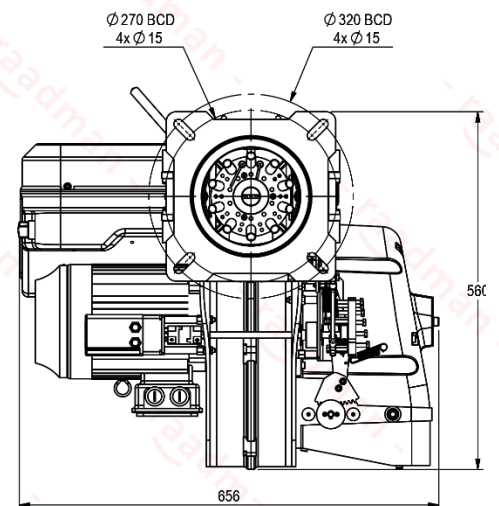
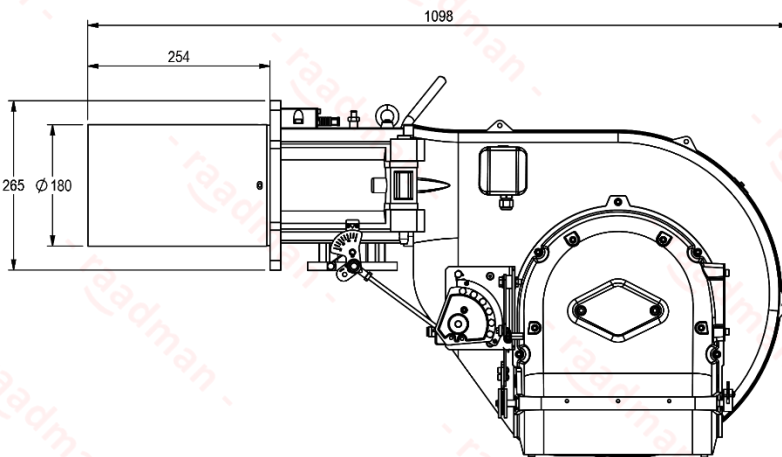
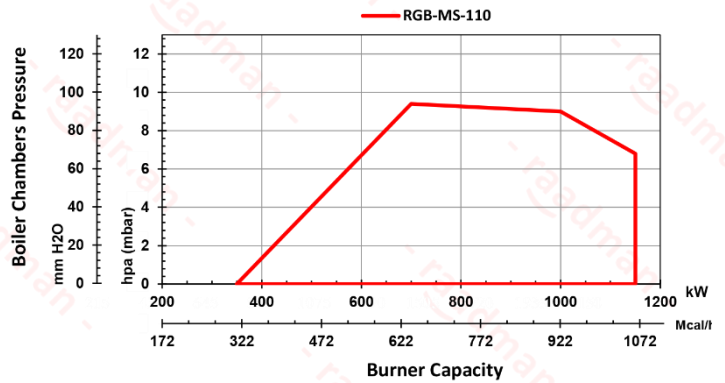
- Mechanical staging burner with capacity of 350-1150 kW on gas side (35-115 Nm<sup>3</sup>/h for G20), and turn down ratio of 1:3, and NO<sub>x</sub> class II.
- Compatible with all types of combustion chambers according to EN-303 or BS-EN 12953 standards.
- Suitable for fire tube, fire box, water tube boilers, etc.
- The burner includes: mechanical components, burner head, flame tube, air fan, control panel, ignition devices, valves and all necessary safety devices in the gaseous fuel line.
- Burner controller: SIEMENS LFL or SHOKOUH/HONEYWELL TMG depends the policy of manufacturer based on the market availability or on the customer's order.  
The controller includes: main controller, actuator.
- The gas train includes: filter, regulator, main and safety valve, pressure gauges, maximum and minimum pressure switch (All according to BS-EN 676).  
The recommended gas trains are offered in two types:
  - Rp1 ½ multi block low-pressure gas train (Inlet pressure of 89-360 mbar).
  - Rp2 separate low-pressure gas train (Inlet pressure of 38-360 bar).
  - If higher pressures are available, lower gas train sizes can be offered for better prices.
- Advantages: optimal design, silent operation, the ability to open from the hinge to both sides and ease of installation and maintenance.
- Optional ability: LPG fuel compatibility with LPG nozzle kits.



### More information

- Fan motor: 1.5 kW, 3 Phase, 380-400 Volt, 50 Hz, 2890 rpm.
- Operating ambient temperature: 5-60°C
- Maximum combustion air temperature: 60°C
- Noise emission level: 77 dB in 1.5-meter distance
- Casing insulation class: IP43
- Net weight: ~76 kg
- Packing dimensions (L x W x H): ~1090 x 680 x 605 mm

Reference conditions: Ambient temperature 20°C - Gas temperature 15°C  
- Barometric pressure 1013 mbar - Altitude 0 m (According to BS-EN 676)



- Suggested boiler flange diameter = 192 mm

### Certifications

- Certified in EAEU countries standard No. 0378484.
- Certified in Iran national standard ISIRI-7595 (BS-EN 676).



Scan to access:  
Technical proposal  
Technical data  
Technical consultation  
Cad model (only for VIP customers)

